

CHANGES FROM BASE PRODUCT VBV-770HM (5611A) TO VBV-770HM(DTM) (7705)

CHANGE

1. CABLE ADAPTER CHANGED FROM VBV-7X0M-CA (3176B) TO VBV-7X0M-CA(DTM) (5087)
2. GIFTBOX LABEL CHANGED FROM VBV-770HM GB-LBL TO VBV-770HM(DTM) GB-LBL

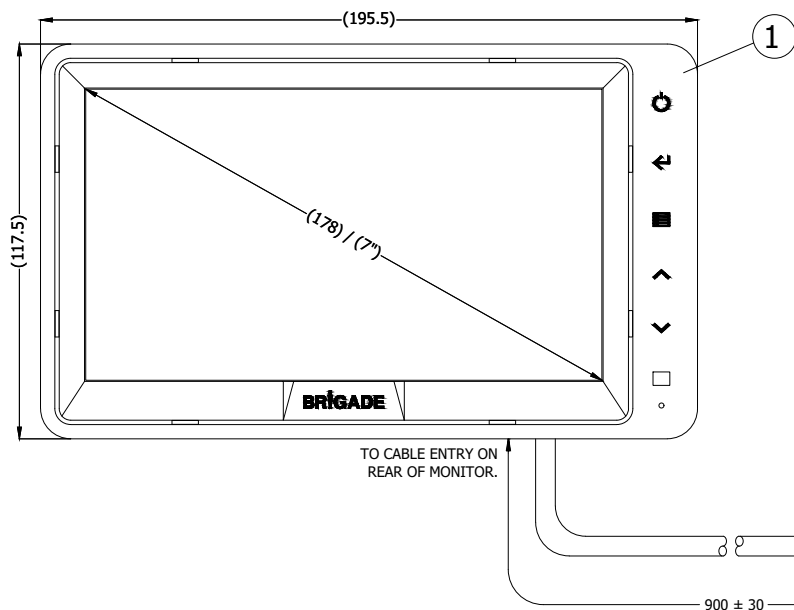
OPERATION

1. SAME AS BASE PRODUCT

Revision Notes.

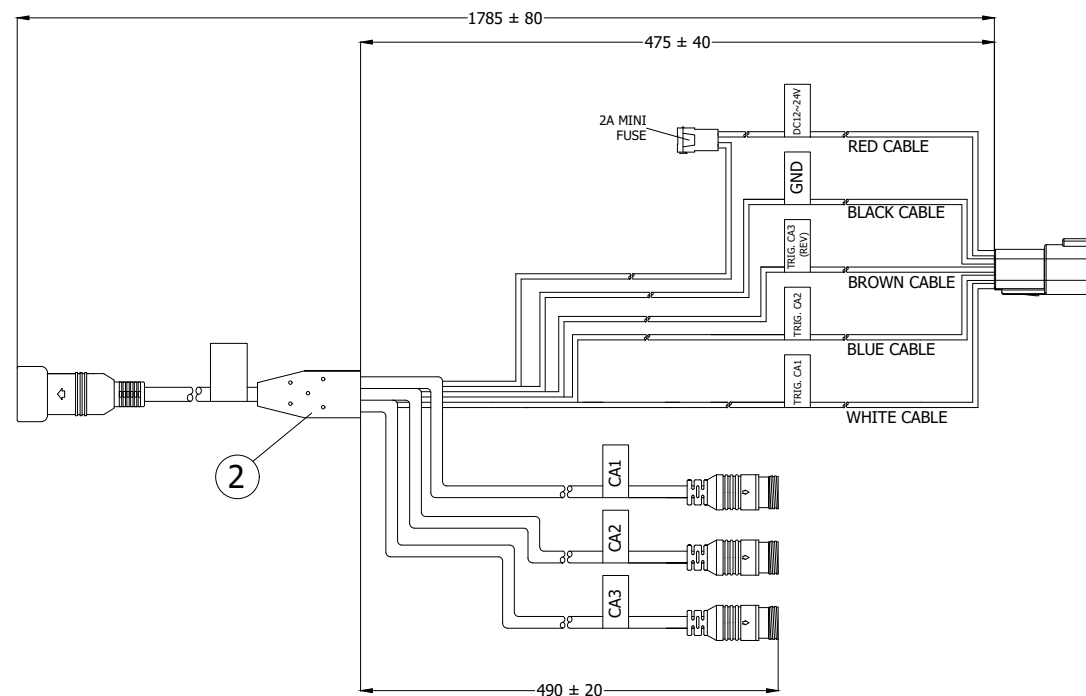
APA: -	Drawn:-	Checked:-	Approved:-	Date: -
--------	---------	-----------	------------	---------

ITEM	PART NO.	QTY	MODEL / DESCRIPTION
①	(5612A)	1	VBV-770HM-M MONITOR
②	(5087)	1	VBV-7X0M-CA(DTM) CABLE ADAPTER
③	(4523)	1	VBV-770M-SS SUNSHIELD (NOT SHOWN)
④	(3148A)	1	BMM-015 BRACKET (NOT SHOWN)
⑤	(5613A)	1	VBV-770HM-IG INSTALLATION GUIDE (NOT SHOWN)



TO CABLE ENTRY ON REAR OF MONITOR.

900 ± 30



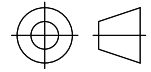
NOTES:

1. REFER TO COMPONENT DRAWINGS FOR COMPONENT DETAIL.
2. PURCHASE ORDER TO DEFINE PACKAGING VARIANT.
3. FOR LABEL AND PACKAGING DETAIL REFER TO MASTER BOM.
4. ANY CUSTOMER MODIFICATION OF THIS PRODUCT CAUSING SUBSEQUENT FAILURE IS NOT A LIABILITY OF BRIGADE ELECTRONICS PLC.

PROPRIETARY NOTICE

THIS DESIGN AND TECHNICAL INFORMATION APPEARING ON THIS DRAWING IS THE PROPERTY OF BRIGADE ELECTRONICS, AND IS DISCLOSED IN CONFIDENCE. IT IS NOT TO BE COPIED, REPRODUCED, REVEALED TO OR EXPROPRIATED BY OTHERS, EITHER IN WHOLE OR IN PART WITHOUT THE EXPRESS WRITTEN CONSENT OF BRIGADE ELECTRONICS.

Customer Approval
A. FEDERIGHI (24/04/24)

Assembly Pl Approval F. BASHIR (07/05/24)	Approved by JN. BATOUR	Checked by A. KING	Drawn by A.FOSTER
Angle of Projection  Third Angle	Units mm	Scale N/A	Released 18/06/24
Status RELEASED	VBV-770HM(DTM)		
Part No 7705	BE-004894-00-24		

BRIGADE
www.brigade-electronics.com